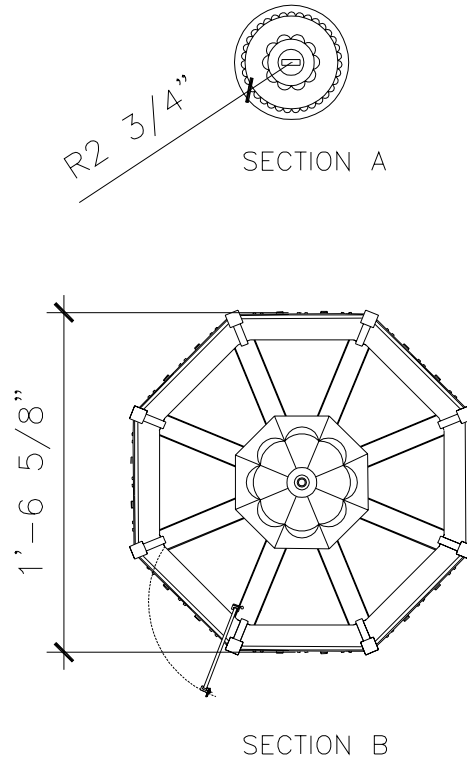
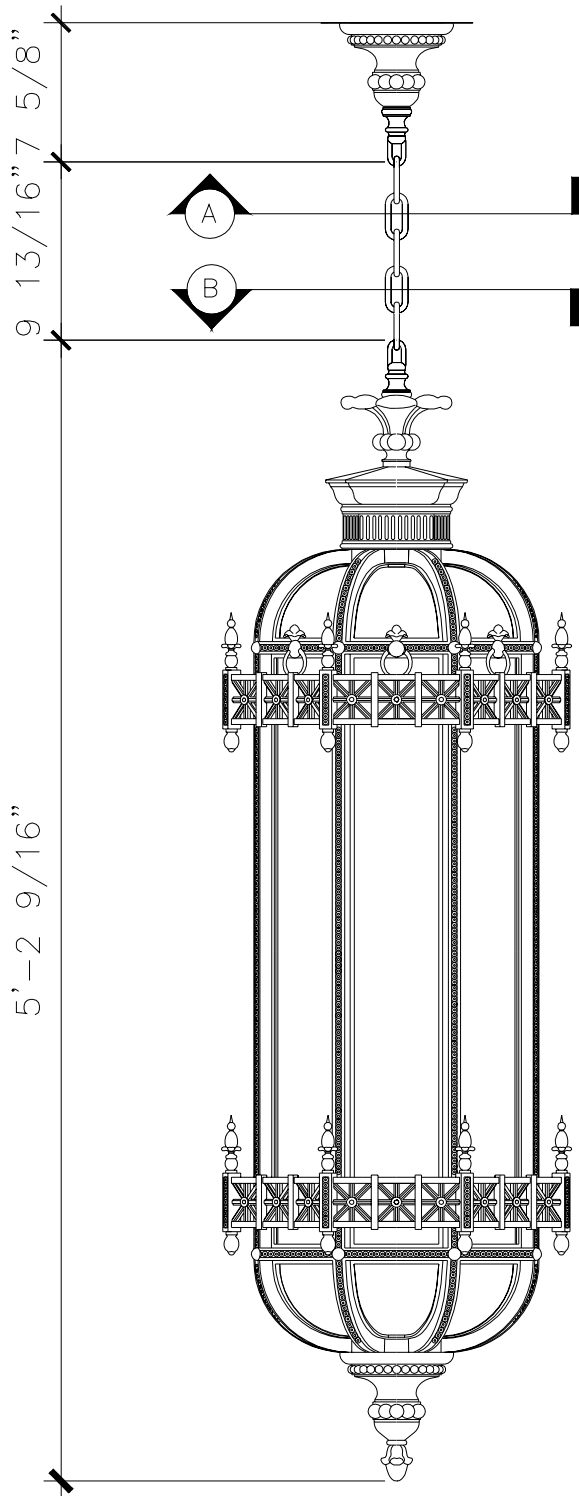


PENDANT LAMP

LF015



RECOMMENDED MATERIALS

ALUMINUM  
BRONZE

FINISHES

PAINTED, ANTIQUED  
PATINA, BRUSHED, HAND RUBBED

