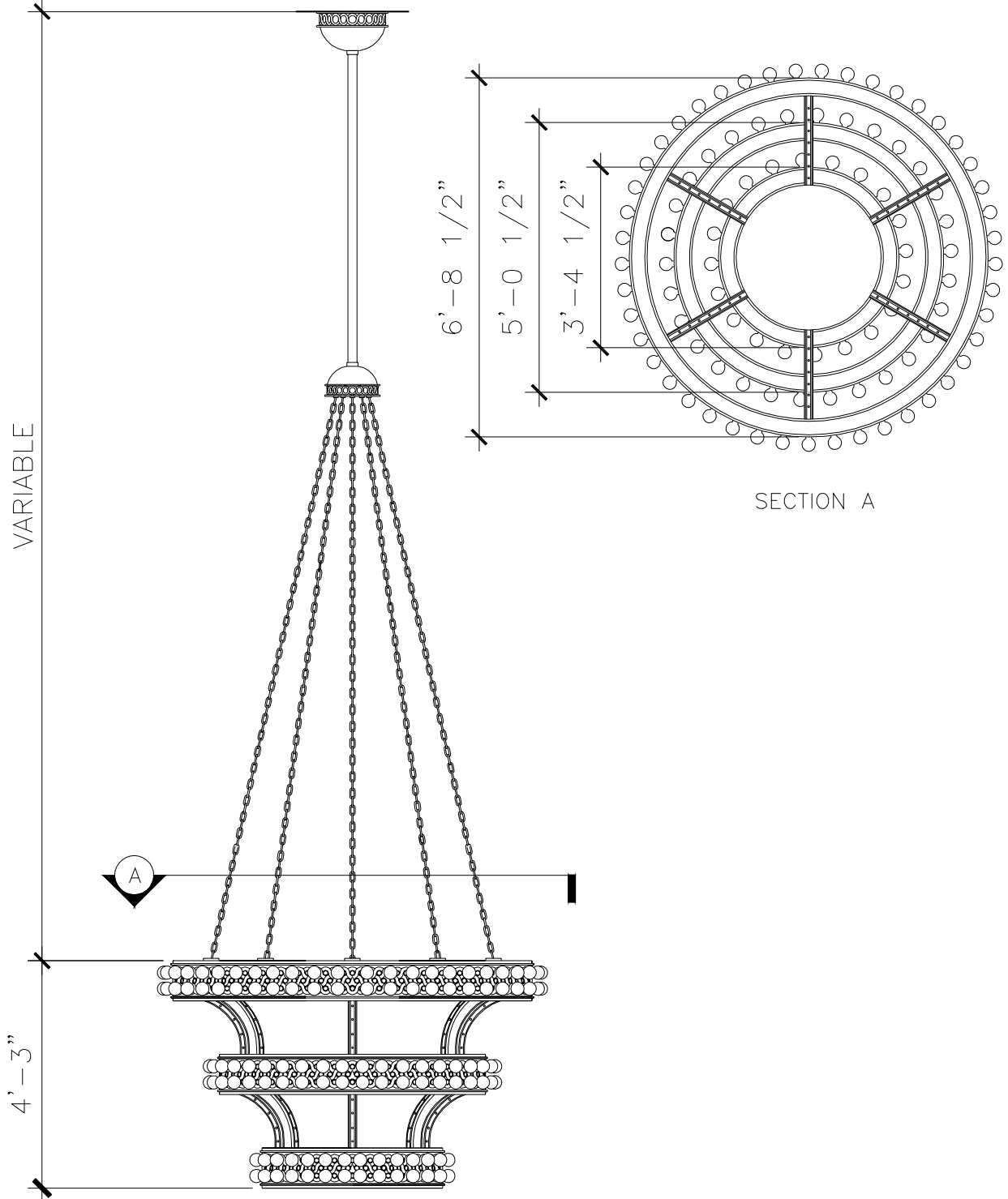


TRIPLE TIER CHANDELIER

LF023



RECOMMENDED MATERIALS

ALUMINUM
BRONZE

FINISHES

PAINTED, ANTIQUED
PATINA, BRUSHED, HAND RUBBED

